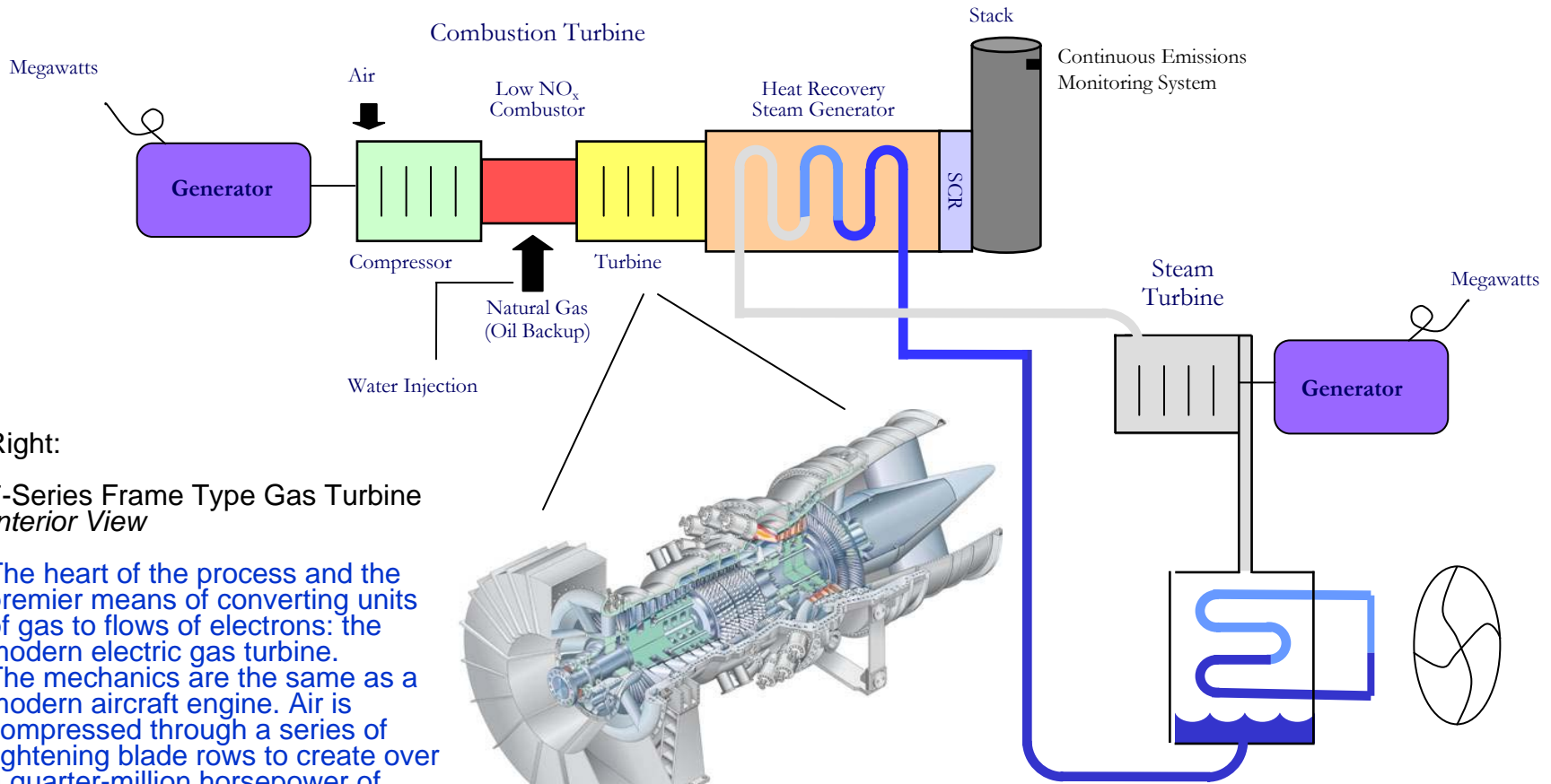


The Combined-Cycle Process



Right:

7-Series Frame Type Gas Turbine
Interior View

The heart of the process and the premier means of converting units of gas to flows of electrons: the modern electric gas turbine. The mechanics are the same as a modern aircraft engine. Air is compressed through a series of tightening blade rows to create over a quarter-million horsepower of turning power and the flow of electrons that keeps modern American life possible.

